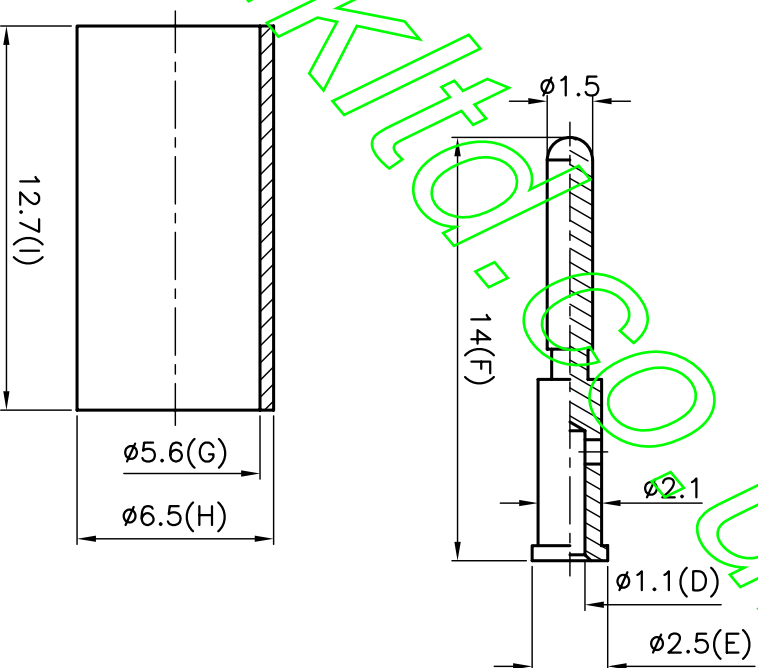
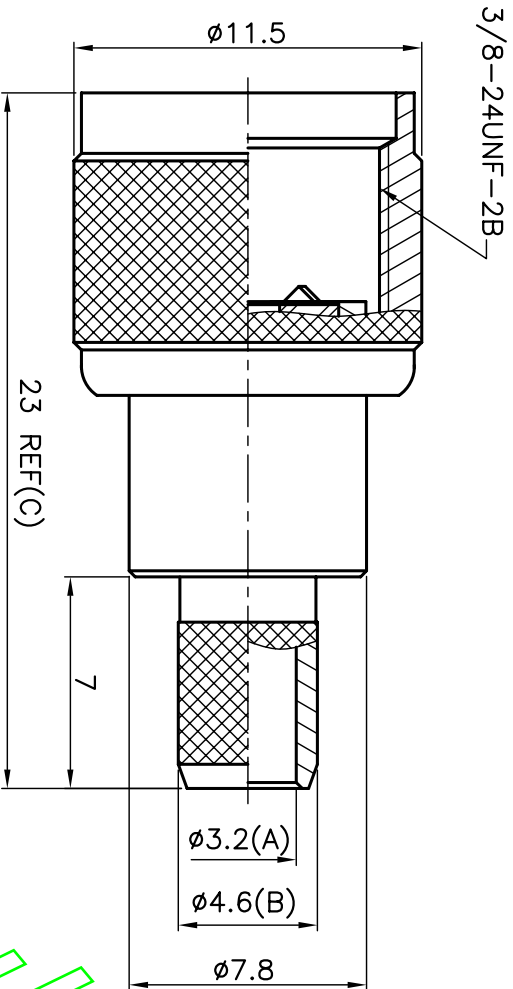


ISS	DESCRIPTION \ DATE

REVISIONS



1. CRIMPED FERRULE
HEX CRIMP SIZE .213"
2. CRIMPED CONTACT PIN
HEX CRIMP SIZE .068"

CONNECTORS CABLES
BOSS
SPECIALISTS LTD

TITLE: MINI UHF MALE CRIMP
(FOR RG58/U)

PART NO: MUPCR58

DRAWING NO:

APRD:

CHKD:

DR:

DATE: 12/10/09"

029

SHEET: .

SCALE: 4/1

NO.

DESCRIPTION

MATERIAL

FINISH

UNLESS OTHERWISE
SPECIFIED TOLERANCES
0.5-6 = ±0.2
>6-30 = ±0.4
>30-120 = ±0.6
>120-315 = ±1.0
>315-1000 = ±1.6
ANGLES = ±5°

FERRULE

CONTACT PIN

SHELL

INSULATOR

BODY

BRASS

BRASS

BRASS

DELRIN

BRASS

NICKEL

GOLD

NICKEL

WHITE

NICKEL